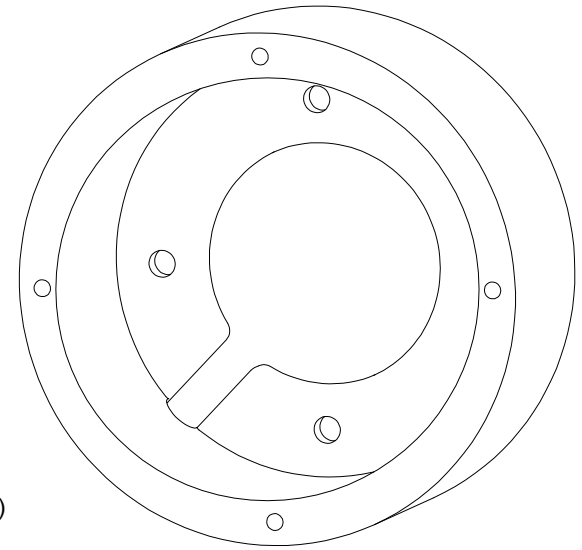
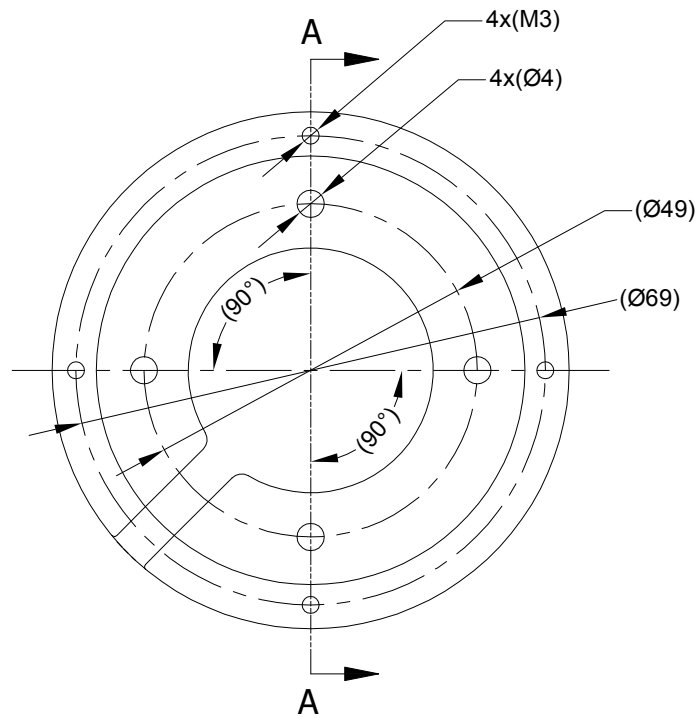
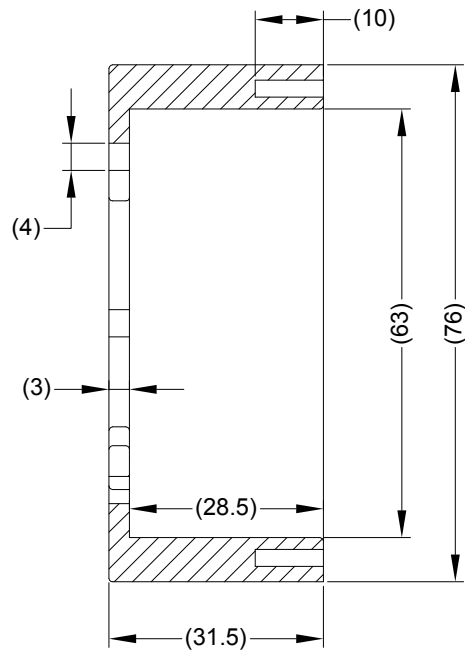


Revision Notes.				
-				
APA: -	Drawn:-	Checked:-	Approved:-	Date: -

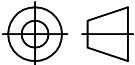


- NOTES:
1. FINISH: ANODISED BLACK.
  2. MATERIAL: ALUMINUM.
  3. TO BE SUPPLIED IN CLEAR PLASTIC BAG.
  4. FOR GIFT BOX LABEL REFER TO LATEST REVISION OF DRAWING BE-003245-XX-15.
  5. TO BE SUPPLIED WITH 4x M3x10mm MOUNTING SCREWS FOR MD-50, NOT SUPPLIED WITH VEHICLE FIXINGS.

**PROPRIETARY NOTICE**

THIS DESIGN AND TECHNICAL INFORMATION APPEARING ON THIS DRAWING IS THE PROPERTY OF BRIGADE ELECTRONICS, AND IS DISCLOSED IN CONFIDENCE. IT IS NOT TO BE COPIED, REPRODUCED, REVEALED TO OR EXPROPRIATED BY OTHERS, EITHER IN WHOLE OR IN PART WITHOUT THE EXPRESS WRITTEN CONSENT OF BRIGADE ELECTRONICS.

**BRIGADE**<sup>®</sup>  
www.brigade-electronics.com

Assembly Pl Approval K.WONG	Approved by B.JOHN	Checked by R.BATES	Drawn by L.BRAR
Angle of Projection 	Units mm	Scale N/A	Released 14/10/15
	Status RELEASED	Assembly Ref MD-50SM-30	
	Part No 5003	BE-003242-00-15	